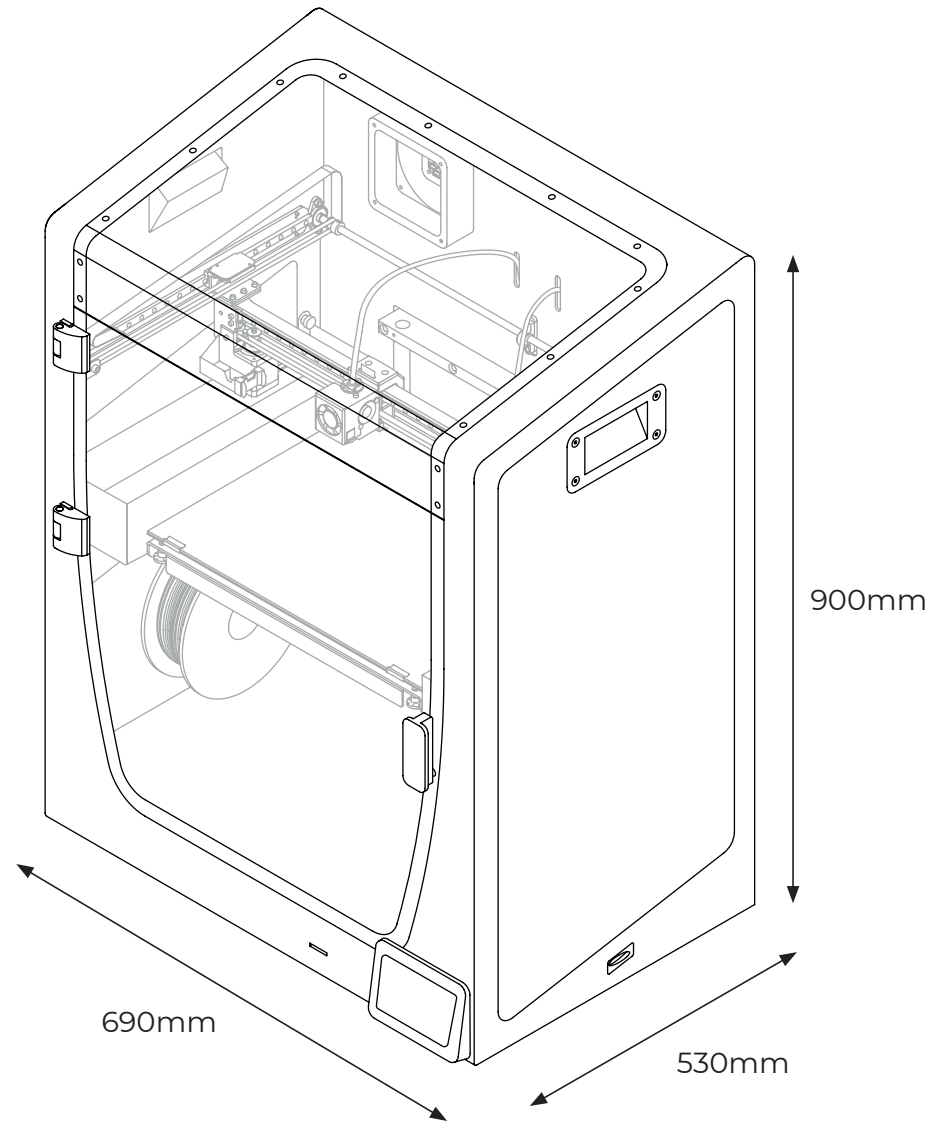


BCN3D EPSILON SPECIFICATIONS



PRINTER PROPERTIES

Technology

Fused Filament Fabrication (FFF)

Architecture

Independent Dual Extruder (IDEX)

Printing volume

420mm x 300mm x 400mm

Build Chamber

Fully enclosed
Passive Heated Chamber
Safety Pause

Air filtering

Category H13 HEPA filter
Active Carbon filter

Extruders

2

Warranty

2 years for EU countries
1 year for non-EU countries

Extruder system

Extruder Bondtech™ hight-tech
dual drive gears.
Hotends: Optimized and manufactured
by e3D™.

Printing Models

Duplication mode
Mirror Mode
Soluble Supports Mode
Multimaterial Mode

Electronics

Single Board Computer: Toradex ARM
Compute Module.
Motion Board: BCN3D Electronics with
Independent Stepper Drivers.

Firmware

BCN3D Embedded Linux distribution
BCN3D Epsilon - Marlin

Heated bed

Silicone thermal pad

Screen

5" full color capacitive touchscreen

Supported files

gcode

Operating Sound

49 dB(A)

Nozzle diameter

0,4mm (installed) / 0,6mm / 0,8mm /
1,0mm / Hotend X: 0,6mm

Certifications

CE / FCC

Connectivity

Offline printing: SD card
Online printing: Wifi or Ethernet

PHYSICAL DIMENSIONS

Overall dimensions

530mm x 690mm x 900mm*

**Including cables*

Weight

37 kg*

**Without filament spools*

Shipping box dimensions

600mm x 800mm x 1185mm

Shipping weight

46 kg

Shipping method

Half Europallet

MATERIALS

Filament diameter

2,85mm

Compatible Materials

PLA, PVA, PET-G, TPU, ABS,
PP, PA.
Fiber filled materials. Only with
Hotend X (0,6mm):
PP GF30, PAHT CF15.

Open Filament System

Yes

PRINTING PROPERTIES

Layer height

0,05 – 0,5mm*

**Depending on the nozzle diameter*

Positioning resolution (X/Y/Z)

1,25µm / 1,25µm / 1µm

Operating temperature

15°C – 35°C

Extruder maximum temperature

300°C

Heated bed maximum temperature

120°C

Build chamber maximum temperature

60°C*

**Depending on operating temperature*

SOFTWARE

File preparation software

BCN3D Cura

Operative Systems

Windows, Mac, Linux

Supported files

STL, 3MF, OBJ, AMF

Wireless connectivity

Cloud software control

- **Send print jobs**
- **Monitor printing progress**
- **Pause/Stop print jobs**

ELECTRIC PROPERTIES

Input

AC 84-240V, AC 3,6-1,3A, 50-60Hz

Maximum Power Consumption

840W