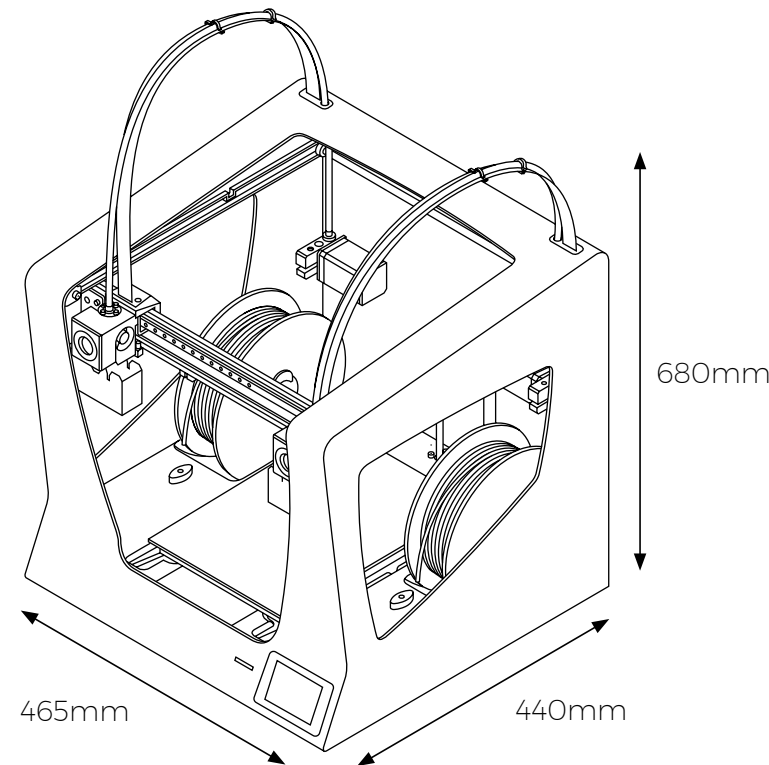


# SIGMA R19

## SPECIFICATIONS

### PRINTER PROPERTIES

Technology	Electronics
<b>Fused Filament Fabrication (FFF)</b>	<b>BCN3D Electronics v1.0</b>
	<b>Independent Stepper Drivers</b>
Architecture	Firmware
<b>Independent Dual Extruder (IDEX)</b>	<b>BCN3D Sigma - Marlin</b>
Printing volume	Heated bed
<b>210mm x 297mm x 210mm</b>	<b>PCB</b>
Extruders	Screen
<b>2</b>	<b>Full Color Capacitive Touchscreen</b>
Warranty	Supported files
<b>2 years for EU countries.</b> <b>1 year for non-EU countries.</b>	<b>gcode</b>
Extruder system	Operating Sound
<b>Extruder Bondtech™ hight-tech dual drive gears.</b> <b>Hotends: Optimized and manufactured by e3D™.</b>	<b>50 dB(A)</b>
Printing Models	Nozzle diameter
<b>Regular</b> <b>Dual-IDEX</b> <b>Duplication</b> <b>Mirror</b>	<b>0,3mm / 0,4mm (Standard) / 0,5mm (Special) / 0,6mm / 0,8mm / 1,0mm</b>
	Certifications
	<b>CE / FCC</b>
	Connectivity
	<b>SD Card (autonomous)</b> <b>USB</b>



### PHYSICAL DIMENSIONS

Overall dimensions
<b>465mm x 440mm x 680mm</b>
<i>(Including cables)</i>
Weight: <b>15 kg</b>
<i>(without filament spools)</i>
Shipping box dimensions
<b>550mm x 570mm x 674mm</b>
Shipping weight: <b>21 kg</b>

### MATERIALS

Filament diameter
<b>2,85 ± 0,05 mm</b>
Compatible Materials
<b>PLA</b>
<b>NYLON</b>
<b>PET-G</b>
<b>ABS</b>
<b>TPU</b>
<b>PVA</b>
<b>Composites</b>
<b>Others</b>

### PRINTING PROPERTIES

Layer height	Heated bed maximum temperature
<b>0,05 - 0,5mm</b>	<b>100°C</b>
<i>(depending on the nozzle diameter)</i>	
Positioning resolution (X/Y/Z)	
<b>1,25µm / 1,25µm / 1µm</b>	
Operating temperature	
<b>15°C - 35°C</b>	
Extruder maximum temperature	
<b>290°C</b>	

### SOFTWARE

File preparation software
<b>BCN3D Cura (recommended),</b> <b>Simplify3D, Slic3r</b>
Operative Systems
<b>Windows, Mac, Linux</b>
Supported files
<b>STL, OBJ, AMF</b>

### ELECTRIC PROPERTIES

Input
<b>AC 84-240V, AC 3,6-1,3A, 50-60Hz</b>
Output
<b>24V DC, 13A</b>
Power Consumption
<b>240W</b>